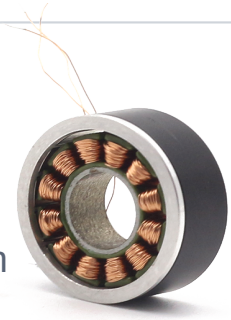


TSL-BLDC-WK1806

Outer Rotor Frameless Torque Motor | Magnetic Plate Version



Rated Voltage 12 V	Rated Speed 800 RPM	Peak Speed 5,017 RPM	Motor Size Ø22 × 8.5 mm
-----------------------	------------------------	-------------------------	----------------------------

1. Electrical and Mechanical Parameters

Parameter	Unit	Value
Rated Voltage	V	12
Rated Current	A	0.66
Rated Torque	N.m	0.03
Rated Speed	RPM	800
Peak Speed	RPM	5,017
Peak Torque	N.m	0.06
Peak Current	A	1.00
Winding Turns of Motor	T	45
Interphase Resistance	Ω	5.64
Interphase Inductance	mH	1.06
Speed Constant	rpm/V	418
Torque Constant	N.m/A	0.06
Rotor Inertia	g.cm ²	6.00
Number of Pole Pairs	Pairs	7.00
Motor Weight	g	12
Working Temperature	°C	-20 to 80
Peak Demagnetization Temperature	°C	120
Stator Inner Diameter	mm	9
Motor Size	mm	Ø22 × 8.5

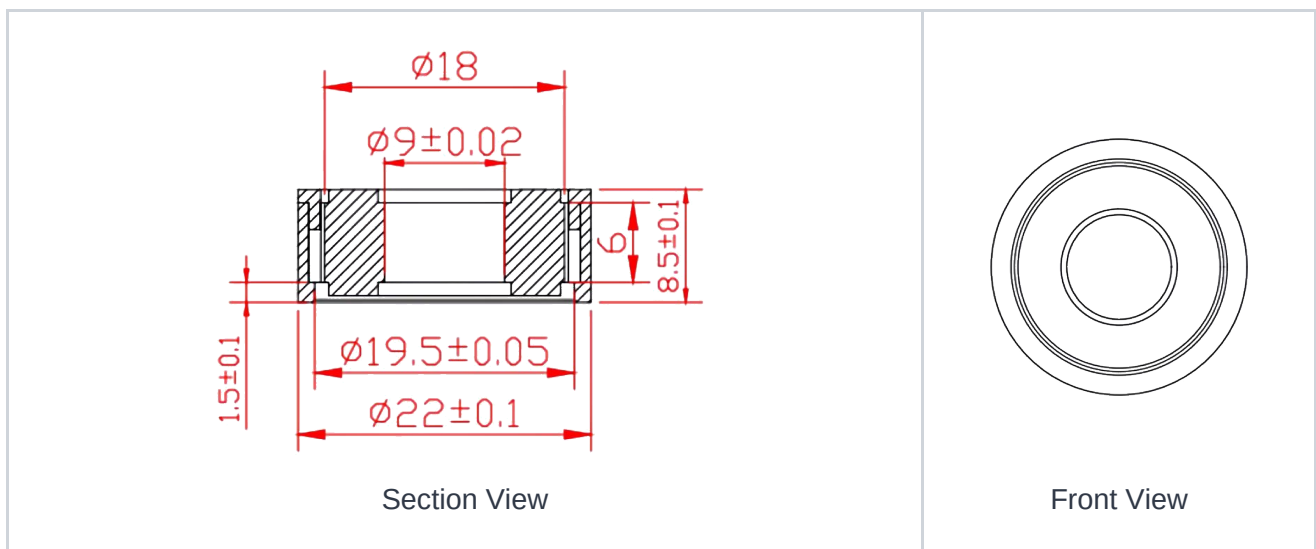
The above parameters are for reference only and can be customized according to customer requirements.

TSL-BLDC-WK1806

Outer Rotor Frameless Torque Motor | Magnetic Plate Version

2. Magnetic Ring Version - Dimension Drawing

All dimensions are in millimeters unless otherwise specified.



Drawing	TSL-BLDC-WK1806 Magnetic Plate Version
Version	V1.0
Updated	2025-08-10